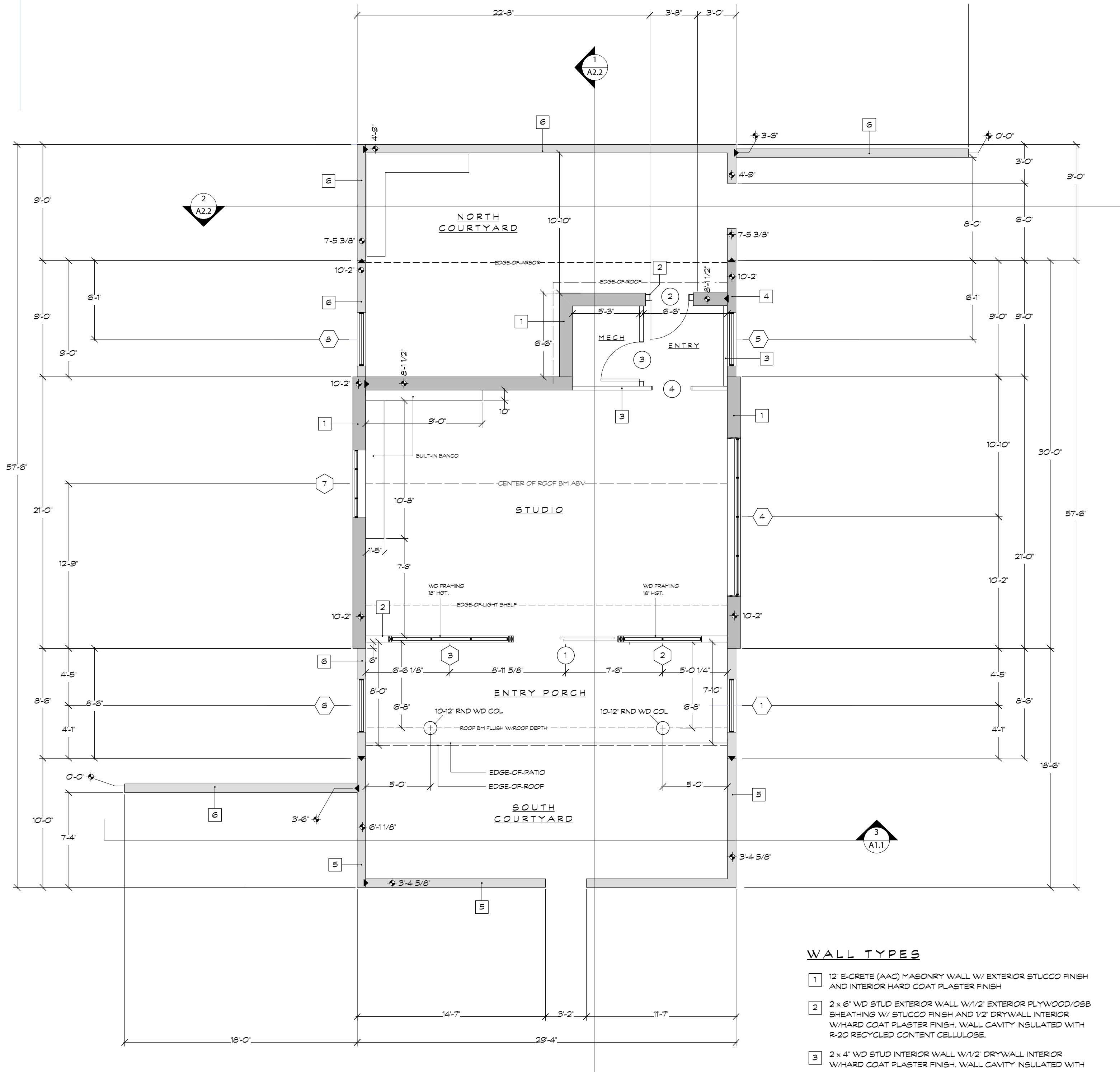


Castle Valley Artist's Studio

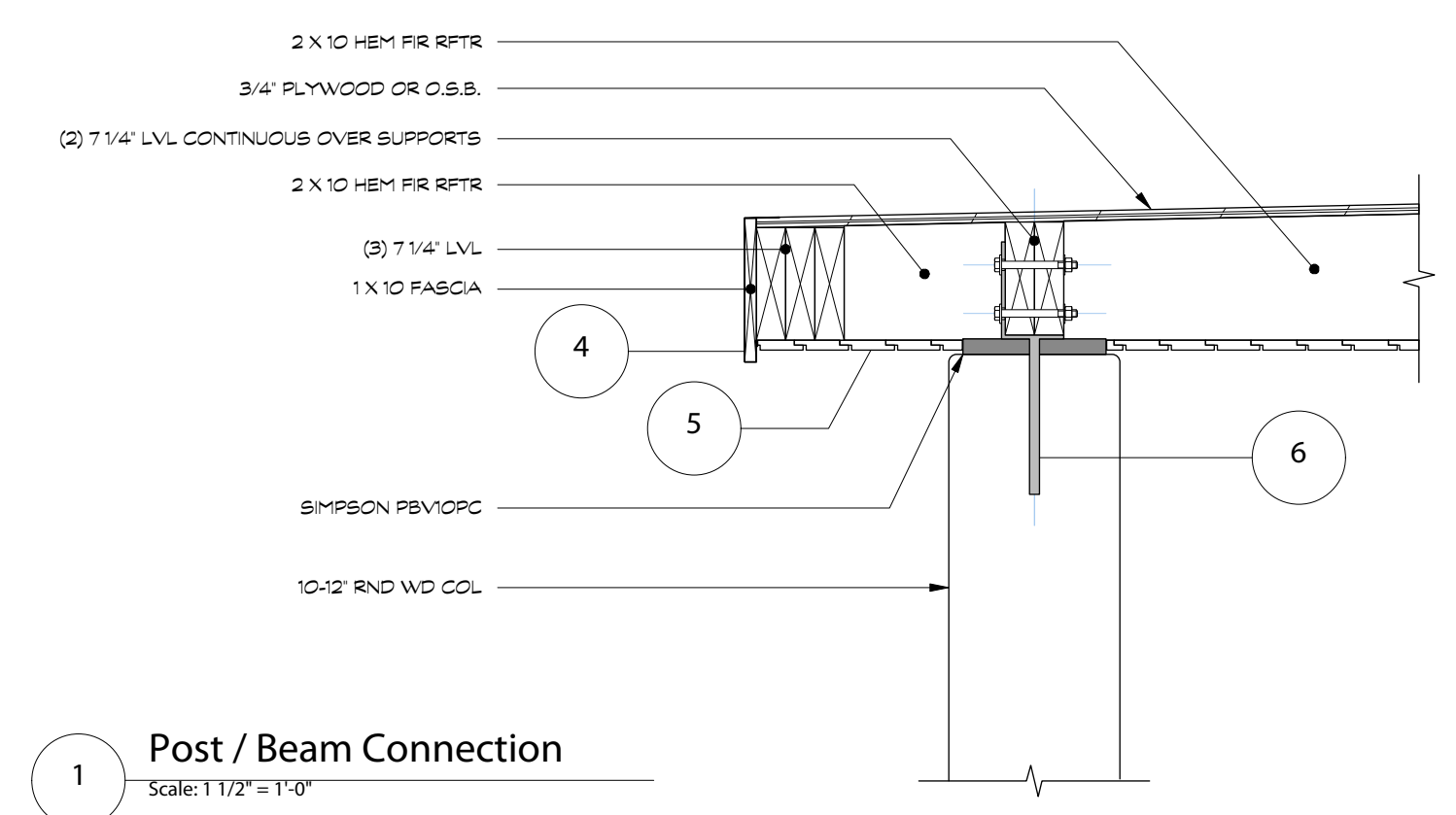
Castle Valley, Utah



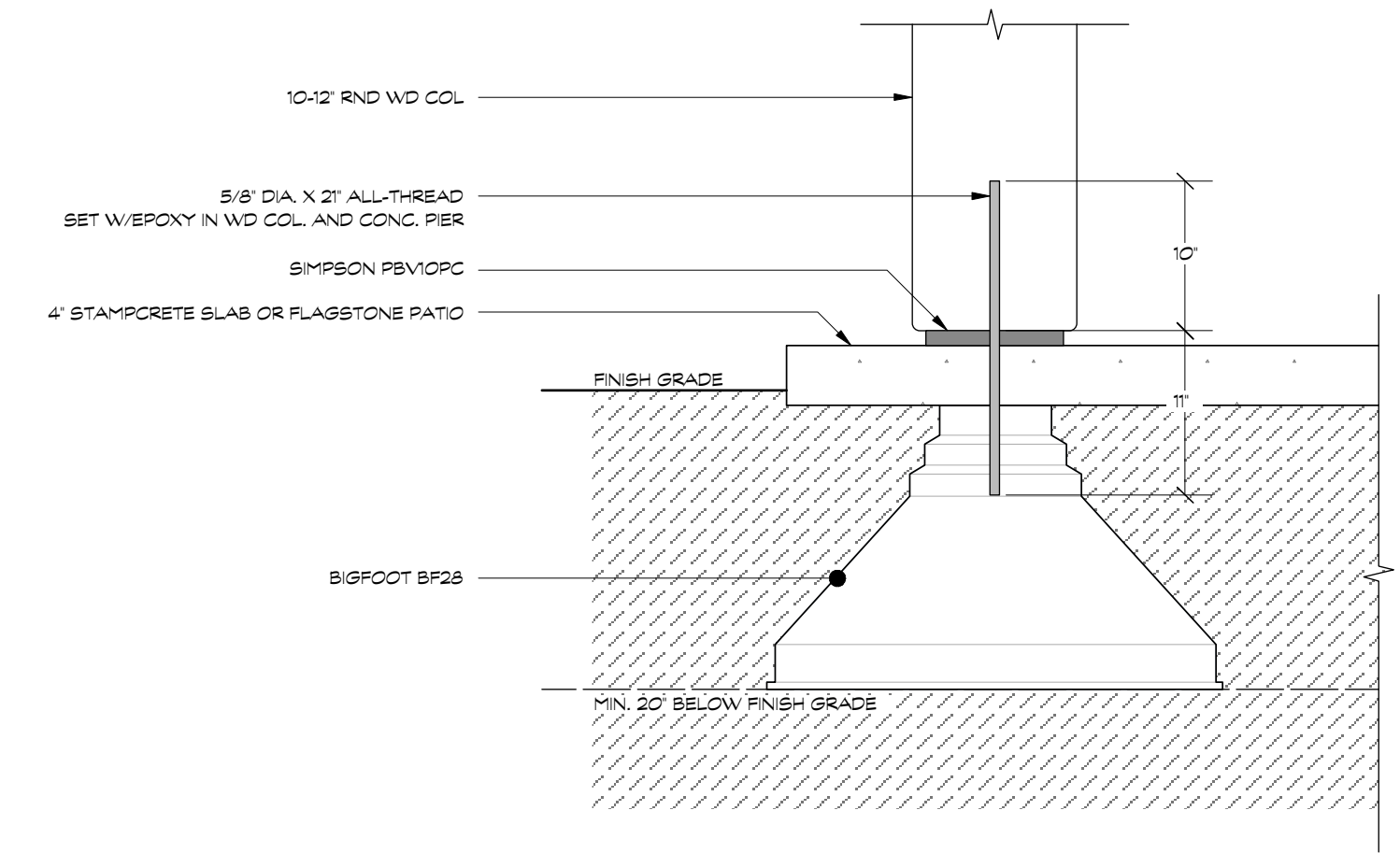
1 Floor Plan
Scale: 1/4" = 1'-0"

WALL TYPES

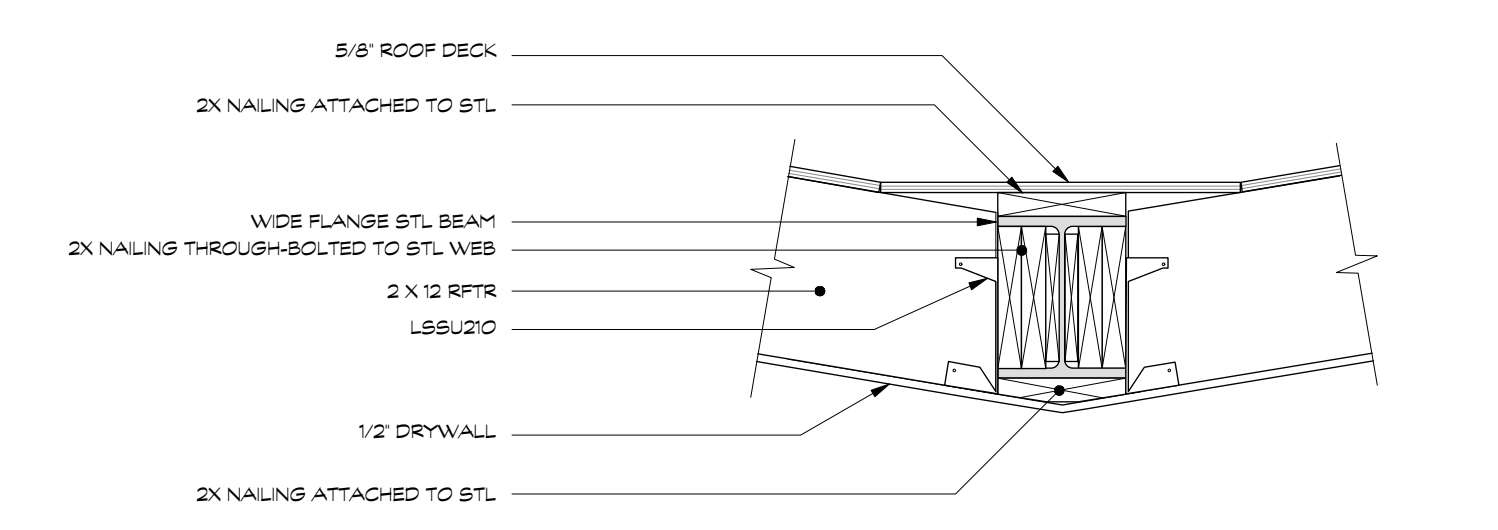
- 1 12" E-CRETE (AAC) MASONRY WALL W/ EXTERIOR STUCCO FINISH AND INTERIOR HARD COAT PLASTER FINISH
- 2 2 x 6" WD STUD EXTERIOR WALL W/ 1/2" EXTERIOR PLYWOOD/O.S.B. SHEATHING W/ STUCCO FINISH AND 1/2" DRYWALL INTERIOR W/ HARD COAT PLASTER FINISH. WALL CAVITY INSULATED WITH R-20 RECYCLED CONTENT CELLULOSE.
- 3 2 x 4" WD STUD INTERIOR WALL W/ 1/2" DRYWALL INTERIOR W/ HARD COAT PLASTER FINISH. WALL CAVITY INSULATED WITH R-13 RECYCLED CONTENT CELLULOSE.
- 4 8" E-CRETE (AAC) MASONRY WALL W/ EXTERIOR STUCCO FINISH
- 5 8" CMU WALL W/ STUCCO FINISH ON EXTERIOR EXPOSURES.
- 6 8" CMU RETAINING WALL W/ STUCCO FINISH ON EXTERIOR EXPOSURES.



1 Post / Beam Connection
Scale: 1 1/2" = 1'-0"



2 Post / Pier Connection
Scale: 1 1/2" = 1'-0"



3 Roof Beam / Rafter Connection
Scale: 1 1/2" = 1'-0"